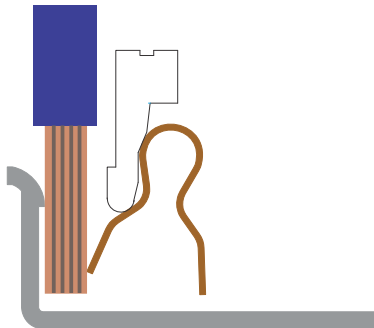
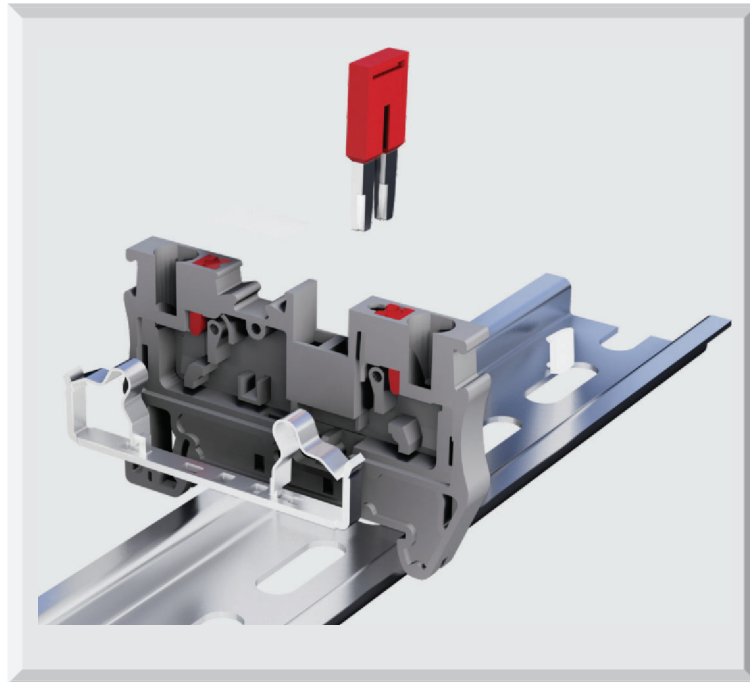
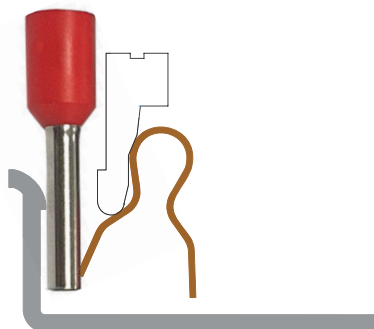


## PUSH-IN TYPE Terminal Blocks



CONNECTION WITH WIRE

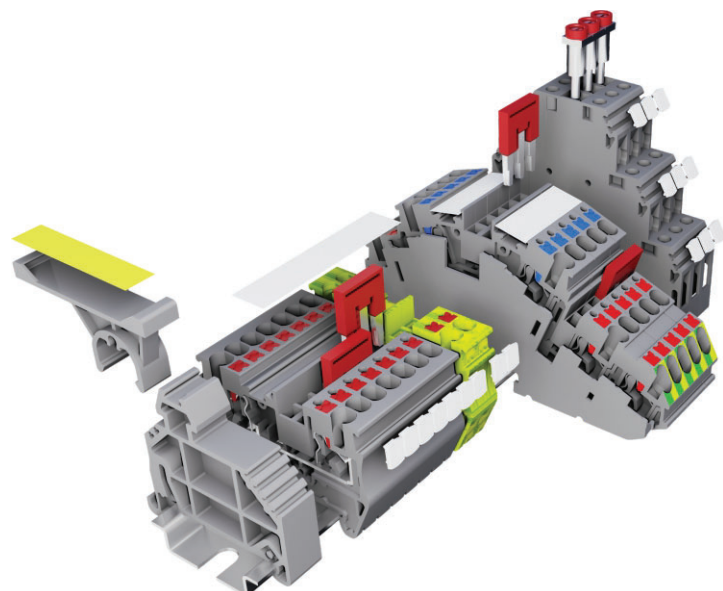


CONNECTION WITH FERRULE

### PUSH-IN CONNECTION

Tbloc push-in terminal blocks provide fast assembly of cables without using a tool. With this technology, solid conductors (just stripping is enough) and flexible conductors (with pin ferrules) can be assembled easily.

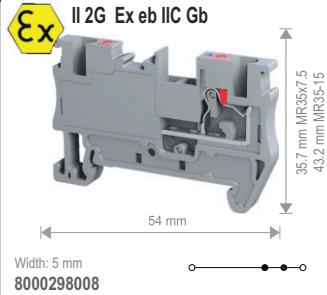
Red buttons on top of the terminal blocks provide easy disassembly without touching conductive parts of the terminal blocks. Push-in connection is resistant to vibration hence, can be used safely in many areas.



## Feed Through Terminal Blocks



<b>Part No.</b>
<b>Rated Cross Section</b>
<b>Electrical Data</b>
IEC 60947-7-1
Rated Impulse Voltage
Operating Temperature
Thermoplastic Flammability
Screw Diameter
Tightening Torque
Insulation Stripping Length
<b>End Stopper</b>
<b>Cross Connections</b>
2 Pole
3 Pole
10 Pole
<b>Marking Tags</b>



### Push-in Terminal Block

#### TB1 PFT2,5 Gray

2,5-4 mm<sup>2</sup> / AWG 20-12

800 V / 24 A  
8 kV  
-40°C .... +80°C  
Polyamide 6.6 UL94 V-2

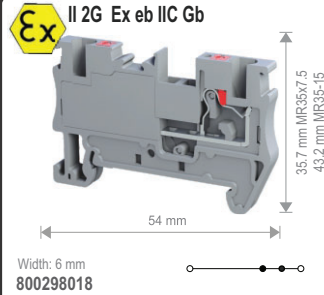
12 mm

#### TB1 SS2 Gray

TB1 PCC2,5/2  
TB1 PCC2,5/3  
TB1 PCC2,5/10

#### TB1 MTG5 Blank (50 pcs/card)

*\*Special markings available on request*



### Push-in Terminal Block

#### TB1 PFT4 Gray

4 mm<sup>2</sup> / AWG 20-10

800 V / 32 A  
8 kV  
-40°C .... +80°C  
Polyamide 6.6 UL94 V-2

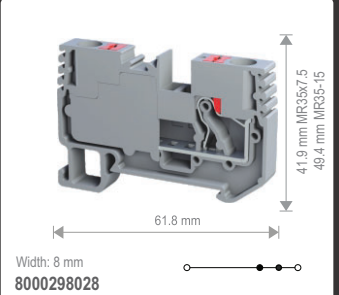
12 mm

#### TB1 SS2 Gray

TB1 PCC4/2  
TB1 PCC4/3  
TB1 PCC4/10

#### TB1 MTG6 Blank (50 pcs/card)

*\*Special markings available on request*



### Push-in Terminal Block

#### TB1 PFT6 Gray

6 mm<sup>2</sup> / AWG 20-8

1000 V / 41 A  
8 kV  
-40°C .... +80°C  
Polyamide 6.6 UL94 V-2

12 mm

#### TB1 SS2 Gray

TB1 PCC6/2  
TB1 PCC6/3  
TB1 PCC6/10

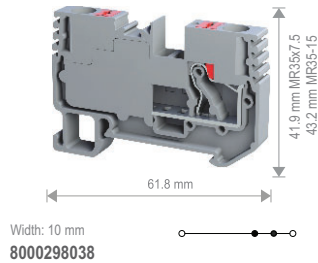
#### TB1 MTG8 Blank (50 pcs/card)

*\*Special markings available on request*

## Feed Through Terminal Block



<b>Part No.</b>
<b>Rated Cross Section</b>
<b>Electrical Data</b>
IEC 60947-7-1
Rated Impulse Voltage
Operating Temperature
Thermoplastic Flammability
Screw Diameter
Tightening Torque
Insulation Stripping Length
<b>End Stopper</b>
<b>Cross Connections</b>
2 Pole
3 Pole
10 Pole
<b>Marking Tags</b>



### Push-in Terminal Block

#### TB1 PFT10 Gray

10 mm<sup>2</sup> / AWG 20-8

1000 V / 41 A  
8 kV  
-40°C .... +80°C  
Polyamide 6.6 UL94 V-2

12 mm

#### TB1 SS2 Gray

TB1 PCC10/2  
TB1 PCC10/3

#### TB1 MTG10 Blank (50 pcs/card)

*\*Special markings available on request*

## Multi-entry and Multi-level Terminal Blocks



### Part No.

Rated Cross Section

### Electrical Data

IEC 60947-7-1

Rated Impulse Voltage

Operating Temperature

Thermoplastic Flammability

Screw Diameter

Tightening Torque

Insulation Stripping Length

### End Stopper

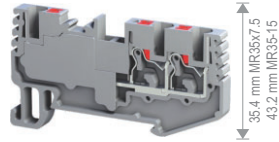
### Cross Connections

2 Pole

3 Pole

10 Pole

### Marking Tags



Width: 5 mm  
8000298068

### Push-in 1x2 Terminal Block

**TB1 PFT2,5 1X2**

2.5 mm<sup>2</sup> / AWG 20-12

800 V / 24 A

8 kV

-40°C ... +80°C

Polyamide 6.6 UL94 V-2

12 mm

**TB1 SS2 Gray**

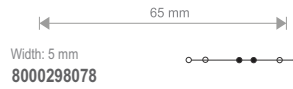
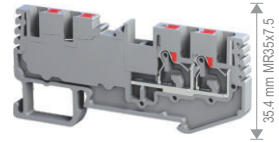
TB1 PCC2,5/2

TB1 PCC2,5/3

TB1 PCC2,5/10

**TB1 MTG5 Blank** (50 pcs/card)

*\*Special markings available on request*



Width: 5 mm  
8000298078

### Push-in 2x2 Terminal Block

**TB1 PFT2,5 2X2**

2.5 mm<sup>2</sup> / AWG 20-12

800 V / 24 A

8 kV

-40°C ... +80°C

Polyamide 6.6 UL94 V-2

12 mm

**TB1 SS2 Gray**

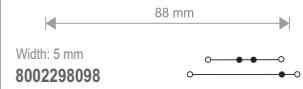
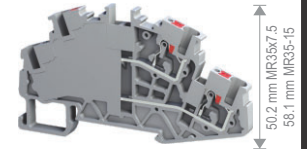
TB1 PCC2,5/2

TB1 PCC2,5/3

TB1 PCC2,5/10

**TB1 MTG5 Blank** (50 pcs/card)

*\*Special markings available on request*



Width: 5 mm  
8002298098

### Push-in 2P Terminal Block

**TB1 PFT2,5 2P**

2.5 mm<sup>2</sup> / AWG 20-12

500 V / 24 A

8 kV

-40°C ... +80°C

Polyamide 6.6 UL94 V-2

12 mm

**TB1 SS2 Gray**

TB1 PCC2,5/2

TB1 PCC2,5/3

TB1 PCC2,5/10

**TB1 MTG5 Blank** (50 pcs/card)

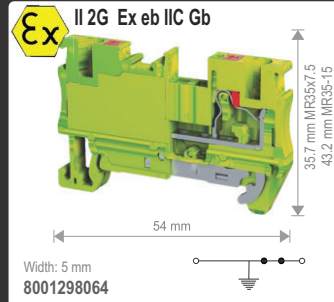
*\*Special markings available on request*

# PUSH-IN TYPE Terminals

## Earth Terminal Blocks

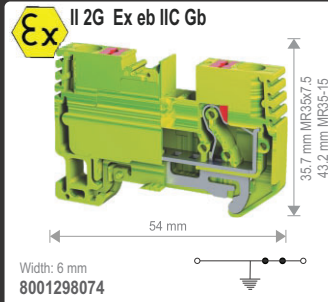


<b>Part No.</b>
<b>Rated Cross Section</b>
<b>Technical Data</b>
IEC 60947-7-1
Rated Impulse Voltage
Operating Temperature
Thermoplastic Flammability
Screw Diameter
Tightening Torque
Insulation Stripping Length
<b>End Stopper</b>
<b>End Plate</b>
<b>Marking Tags</b>



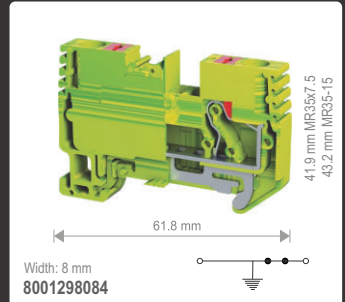
### Push-in Earth Terminal

<b>TB1 PFT2,5E</b>
<b>2.5 mm<sup>2</sup> / AWG 20-12</b>
8 kV
-40°C .... +80°C
Polyamide 6.6 UL94 V-2
12 mm
<b>TB1 SS2 Gray</b>
<b>TB1 MTG5 Blank (50 pcs/card)</b>
<i>*Special markings available on request</i>



### Push-in Earth Terminal

<b>TB1 PFT4E</b>
<b>4 mm<sup>2</sup> / AWG 20-10</b>
8 kV
-40°C .... +80°C
Polyamide 6.6 UL94 V-2
12 mm
<b>TB1 SS2 Gray</b>
<b>TB1 MTG5 Blank (50 pcs/card)</b>
<i>*Special markings available on request</i>



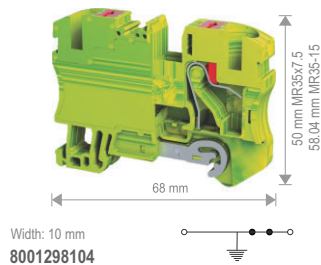
### Double-Deck Terminal

<b>TB1 PFT6E</b>
<b>6 mm<sup>2</sup> / AWG 20-8</b>
8 kV
-40°C .... +80°C
Polyamide 6.6 UL94 V-2
12 mm
<b>TB1 SS2 Gray</b>
<b>TB1 MTG5 Blank (50 pcs/card)</b>
<i>*Special markings available on request</i>

- Feed Through Terminal Block
- Earth Terminal Block



<b>Part No.</b>
<b>Rated Cross Section</b>
<b>Electrical Data</b>
IEC 60947-7-1
Rated Impulse Voltage
Operating Temperature
Thermoplastic Flammability
Screw Diameter
Tightening Torque
Insulation Stripping Length
<b>End Stopper</b>
<b>Cross Connections</b>
2 Pole
3 Pole
10 Pole
<b>Marking Tags</b>



### Push-in Earth Terminal Block

<b>TB1 PFT10E</b>
<b>10 mm<sup>2</sup> / AWG 20-6</b>
8 kV
-40°C .... +80°C
Polyamide 6.6 UL94 V-2
18 mm
<b>TB1 SS2 Gray</b>
<b>TB1 MTG10 Blank (50 pcs/card)</b>
<i>*Special markings available on request</i>